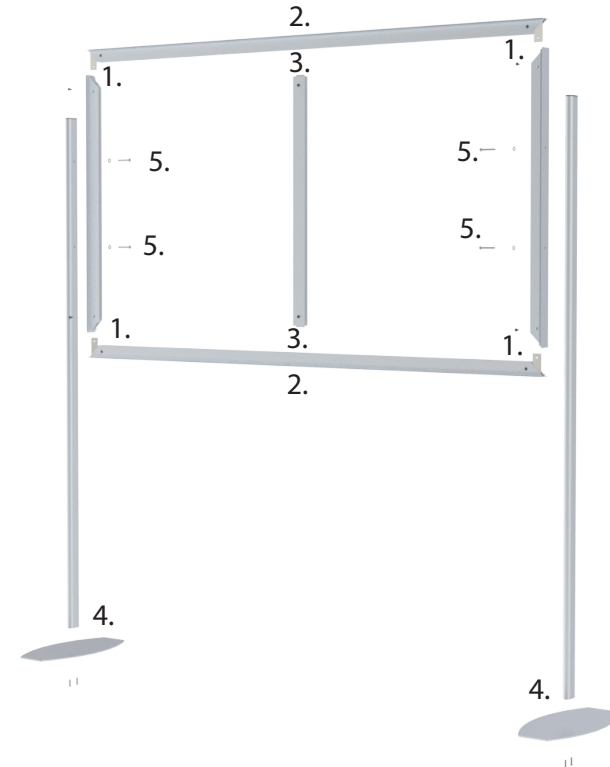
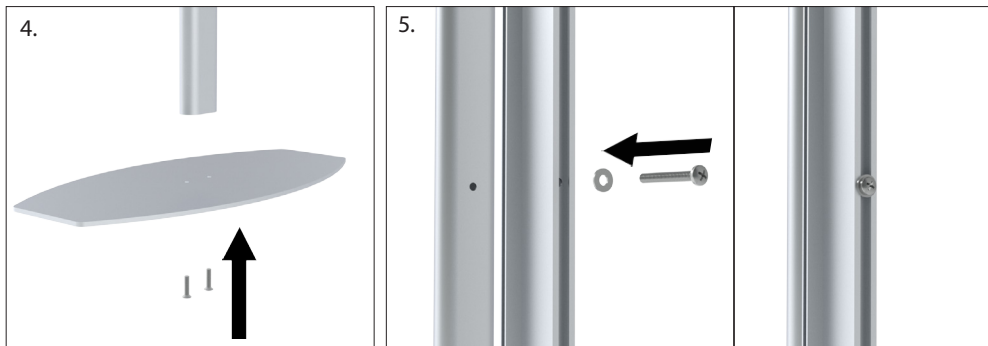
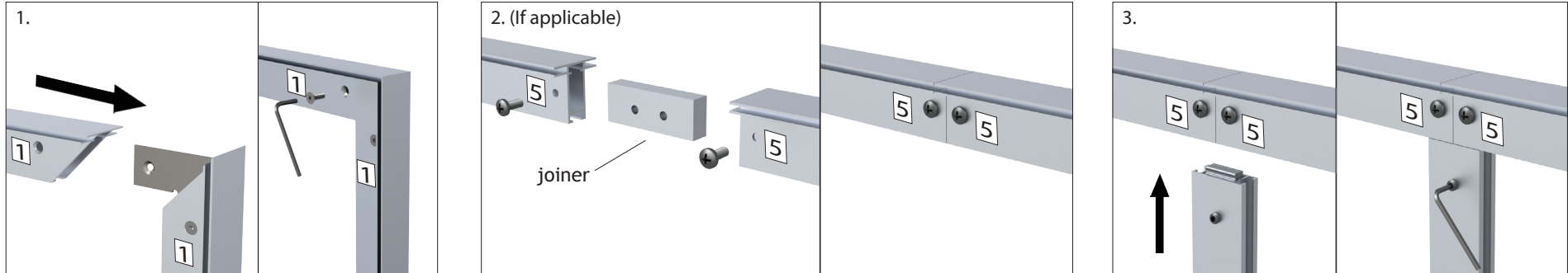
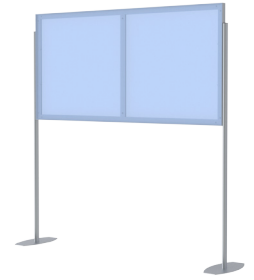


# Charisma™ SEG Stand - XSS Series

Align frame pieces with matching numbers, 1 with 1, 2 with 2, etc.

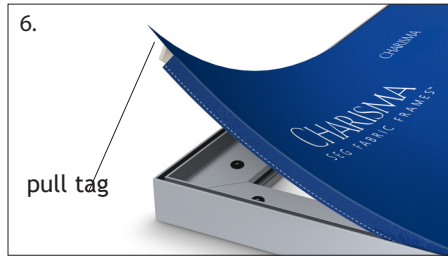
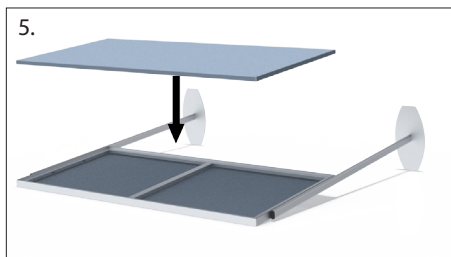
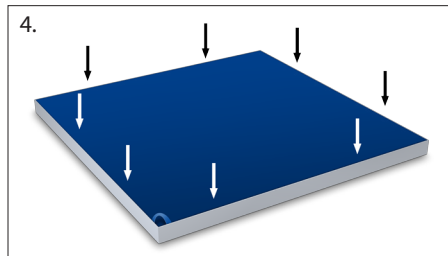
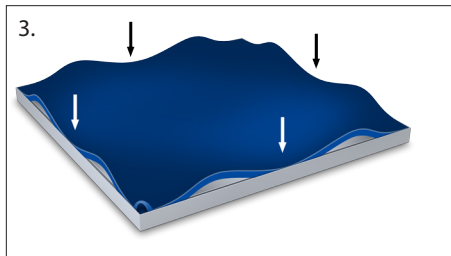
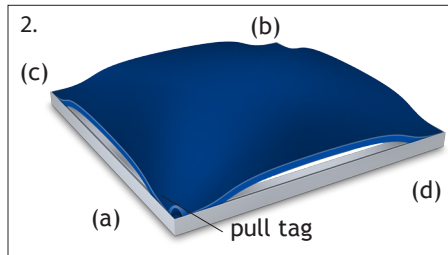
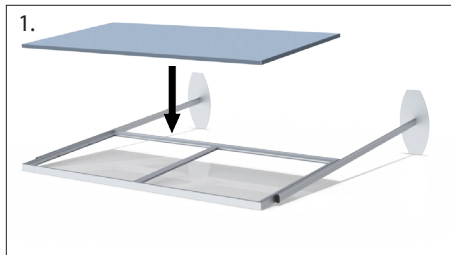
1. For each corner, align holes of bracket with the holes on the frame and lightly tighten using the small Allen screws provided. Repeat for all four sides. Once completed, go back and fully tighten all the screws.
2. *If applicable*, place frame joiner in between frame halves. Align frame holes with joiner holes and use the screws provided to secure.
3. Place center support bar bracket into frame channel and use an Allen key to expand the bracket inside the channel to secure it in place.
4. Align uprights with base holes and attach using the large flat head Allen screws provided. When inserting screws, tighten BOTH by hand first. Then, fully tighten using an Allen key.
5. Attach the frame to the uprights using the screws and washers provided.



XSS36B shown

# Charisma™ SEG Stand - XSS Series

1. Lay the assembly on a clean smooth surface so as to not damage the stand or graphics.
2. To install the graphic, take the corner with the pull tag on it and press about 6"-10" of silicone into the frame channel corner A. Repeat for the opposite corner B. Repeat for the next corner C. Lastly, repeat for the final corner D.
3. After all corners are pressed in, press the silicone into the frame channel at the mid-points on all four sides.
4. Press silicone into frame evenly between the corner and midpoints.
5. Turn the assembly over and then repeat steps 2-4 on the second side.
6. To remove the graphic from the frame, simply pull up on the pull tag.



XSS36B shown